

level measurement

continual capacitive level measurement MHO 422

features

- continual level measurement for fluids in tanks and cases
- high measuring ranges from 200...3000mm possible
- G1" connection thread or process connection
- with coaxial reference probe applicable for plastics tanks
- applicable for many media
- detachable display
- with display 32 point-linearization possible

technical specifications

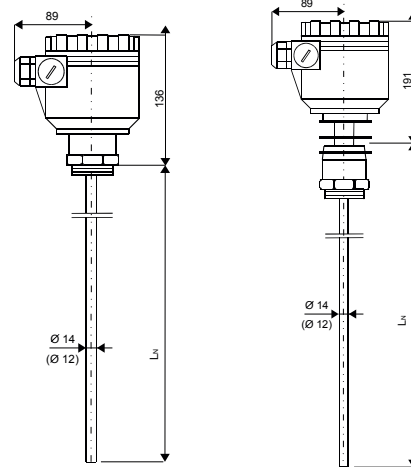
- sensor rod made of stainless steel 1.4301 mit PTFA isolation
- electrical connection mit connection head made of aluminium or plastics
- screwing 2 x M20 x 1,5
- protection type of the head IP 67
- auxiliary supply 10,5...36 VDC
- analog output 4-20 mA 2-wire
- accuracy: 0,3% of the adjusted measuring range
- temperature range connection head plastics -25°C...+70°C
connection head aluminium -30°C...+70°C
with display -25°C...+70°C
- temperature range process standard design: -30°C...130°C
high temperature design: -30°C...200°C
- conductive medium like water: dielectric coefficient not critical
- non-conductive medium like oil: dielectric coefficient has to be >1.5
- max. operating pressure 40bar, other types on request
- easy parameterization about 4 keys (basic model without display)
- with optional display further features like 32 points linearization, Bargraph a.s.o.

application areas

- level measurement in cases and tanks
- level measurement reservoirs



MHO422-7-1...



MHO422...A...

MHO422...B...

order-code MHO 422...

order example: MHO 422-7-1-A-500-1-1

connection head

- 1 aluminium head standard buffed
- 7 plastics connection head PBT

display handling

- 0 without display
- 1 with display

design temperature decoupling

- A standard up to 130°C temperature of the medium
- B high temperature design up to 200°C temperature of the medium with temperature decoupling

length of rod

-XXX length of rod (please specify in mm, for example 300mm mounting length (min. 200mm, max. 3000mm))

process connection

- 1 G1" screw-in thread
- 2 triclamp 1 1/2"
- 3 triclamp 2"
- 4 milk pipe screwing DN40 DIN11851
- 5 milk pipe screwing DN50 DIN11851

output electronic

- 1 analog output 4...20mA 2-wire

updated 01/2018